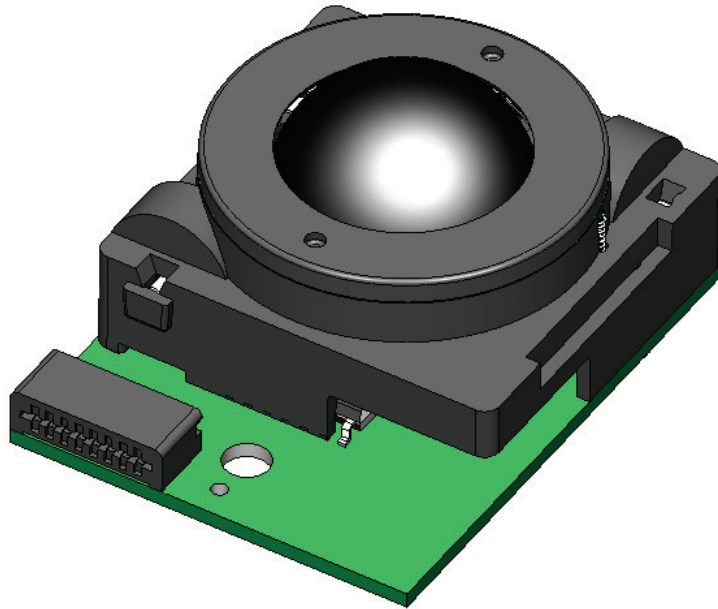


P16 Series - Ø16mm Panel Mount Trackball, Quadrature Output



1. DESCRIPTION

The P16 Series mechanical trackballs are reliable, ultra-compact, pointing devices ideal for use in laptops, palmtops, remote control systems, compact keyboards, mobile phones and all compact panel installations where a small ball solution is required.

The top ring and ball are both removable allowing for quick and easy servicing/cleaning.

Where precision and reliable control is needed, the jewel suspension P16 Series trackballs provide the optimum visual control solution for industrial applications

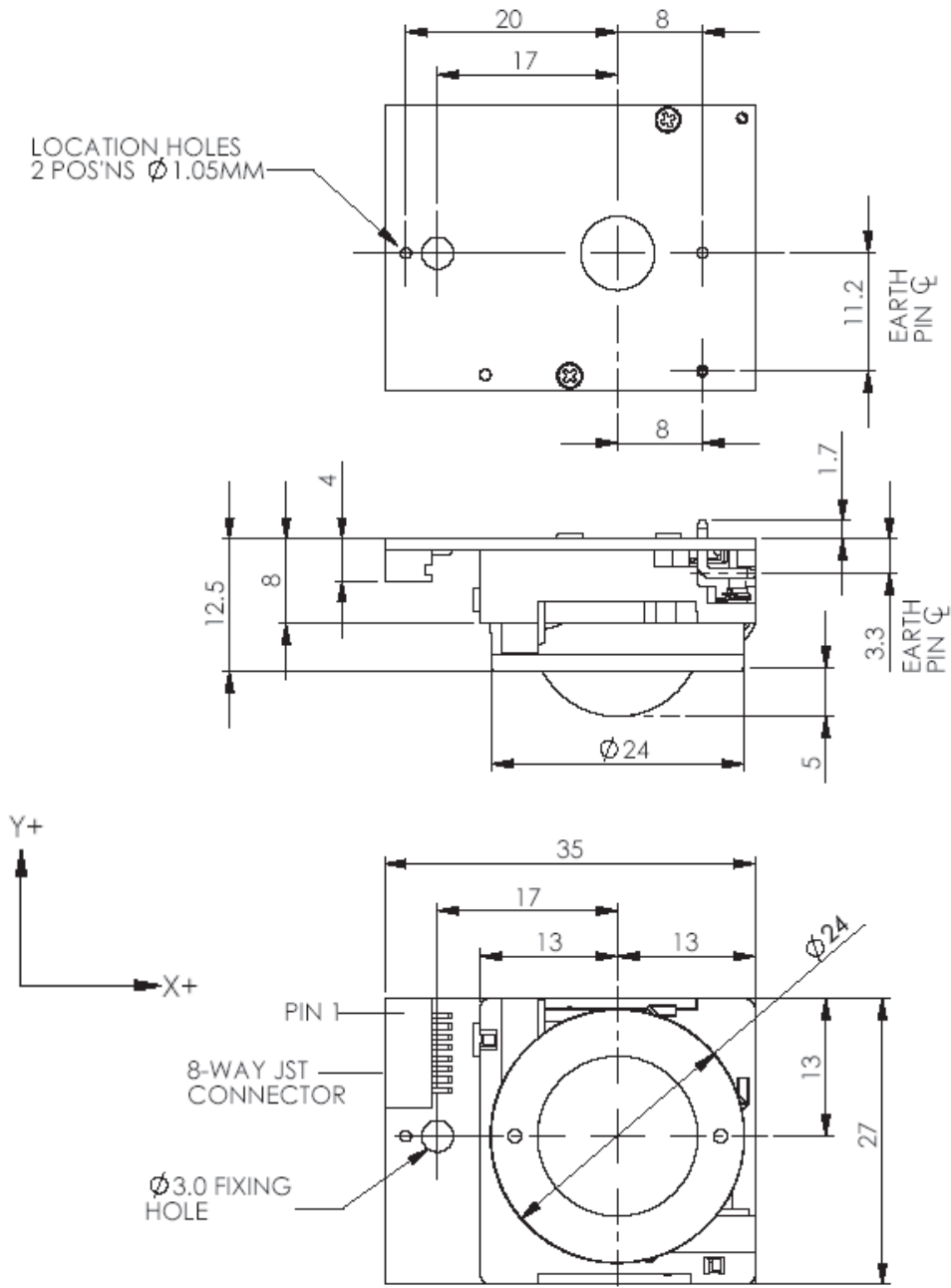
2. FEATURES

- Ultra-compact design
- TTL quadrature output
- Jewel bearing suspension system
- 16mm (0.6") steel core ball for precise control
- Custom connections available
- Custom OEM solutions available

3. APPLICATIONS

- Control systems
- Navigation systems
- Compact keyboards
- Industrial consoles
- Laptops & palmtops
- OEM custom solutions available

6. OUTLINE DRAWING



Dimensional drawing specifies factory default orientation.

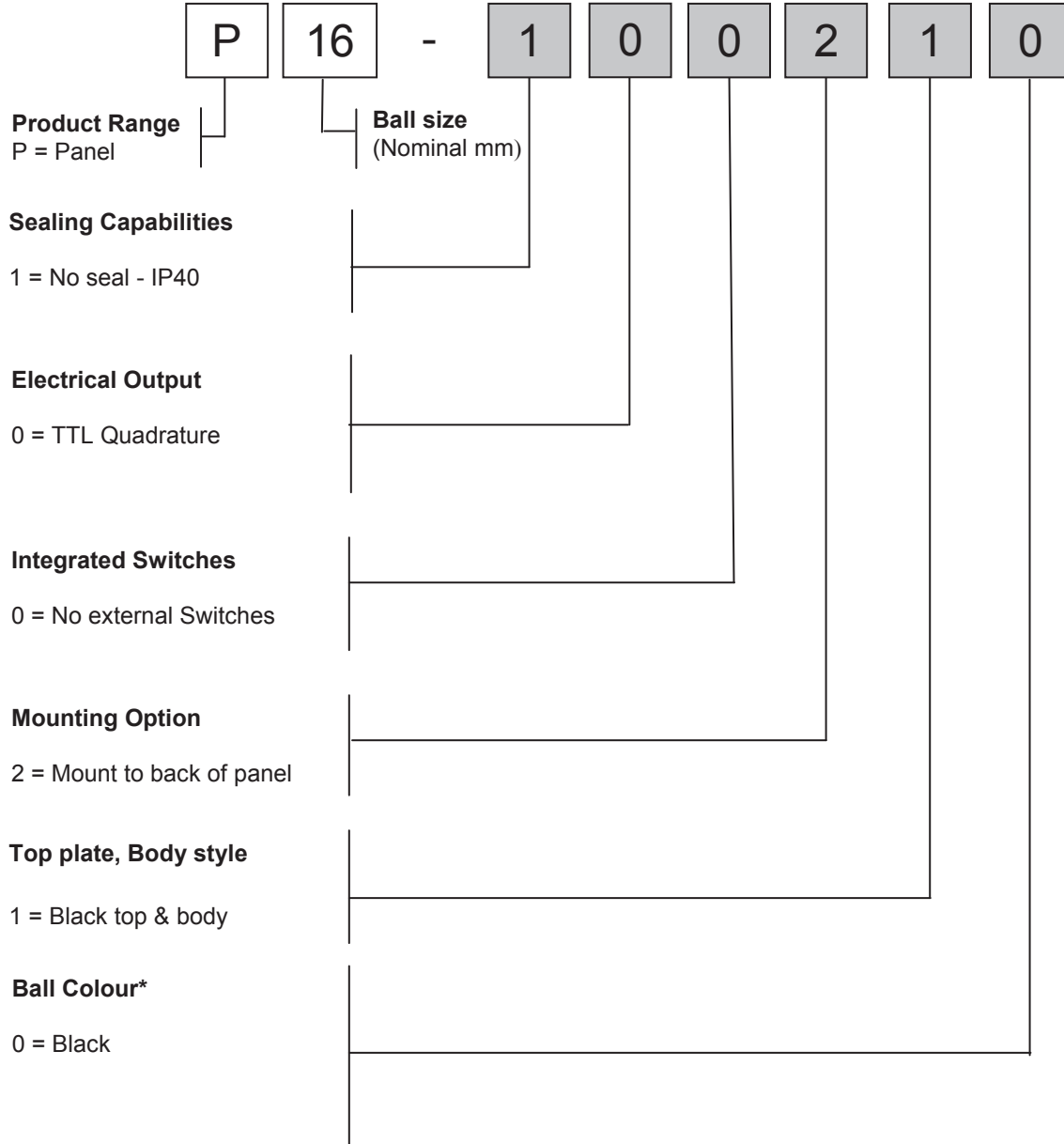
All dimensions are in mm unless otherwise stated.

Tolerances +/- 0.2mm unless otherwise stated

Please note that 3D models are available upon request. Please contact your local sales office for more information.

7. PRODUCT ORDERING CODE SYSTEM

Please construct your standard P16 Series product ordering code by selecting the numbers and letters to suit your specification:



*For further options on ball colours please contact your local sales office. MOQ's may apply.

7.1 Ordering Example

P16-100210 - P16 Series, no seal, TTL Quadrature, no external switches, mount to back of panel, black top & body, black ball.