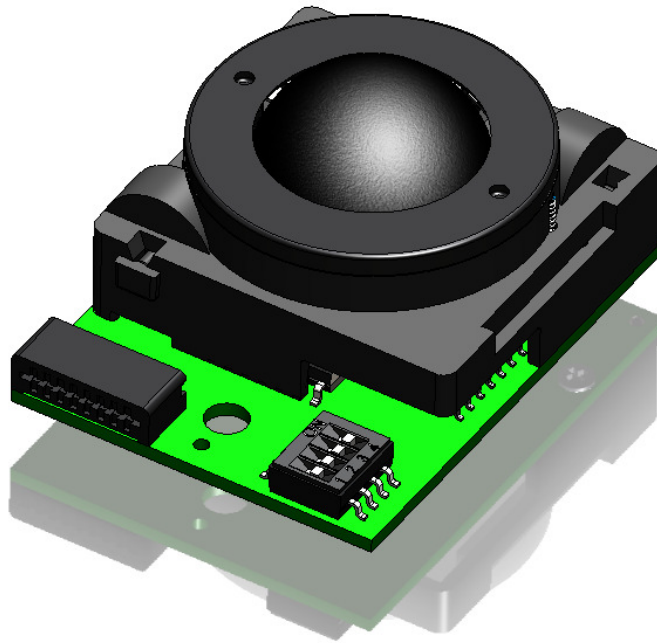


## P16 Series – Ø16mm Panel Mount Trackball, Protocol Output



### 1. DESCRIPTION

The P16 Series mechanical trackballs are reliable, ultra-compact, pointing devices ideal for use in laptops, palmtops, remote control systems, compact keyboards, mobile phones and all compact panel installations where a small ball solution is required.

The top ring and ball are both removable allowing for quick and easy servicing/cleaning.

Where precision and reliable control is needed, the jewel suspension P16 Series trackballs provide the optimum visual control solution for industrial applications.

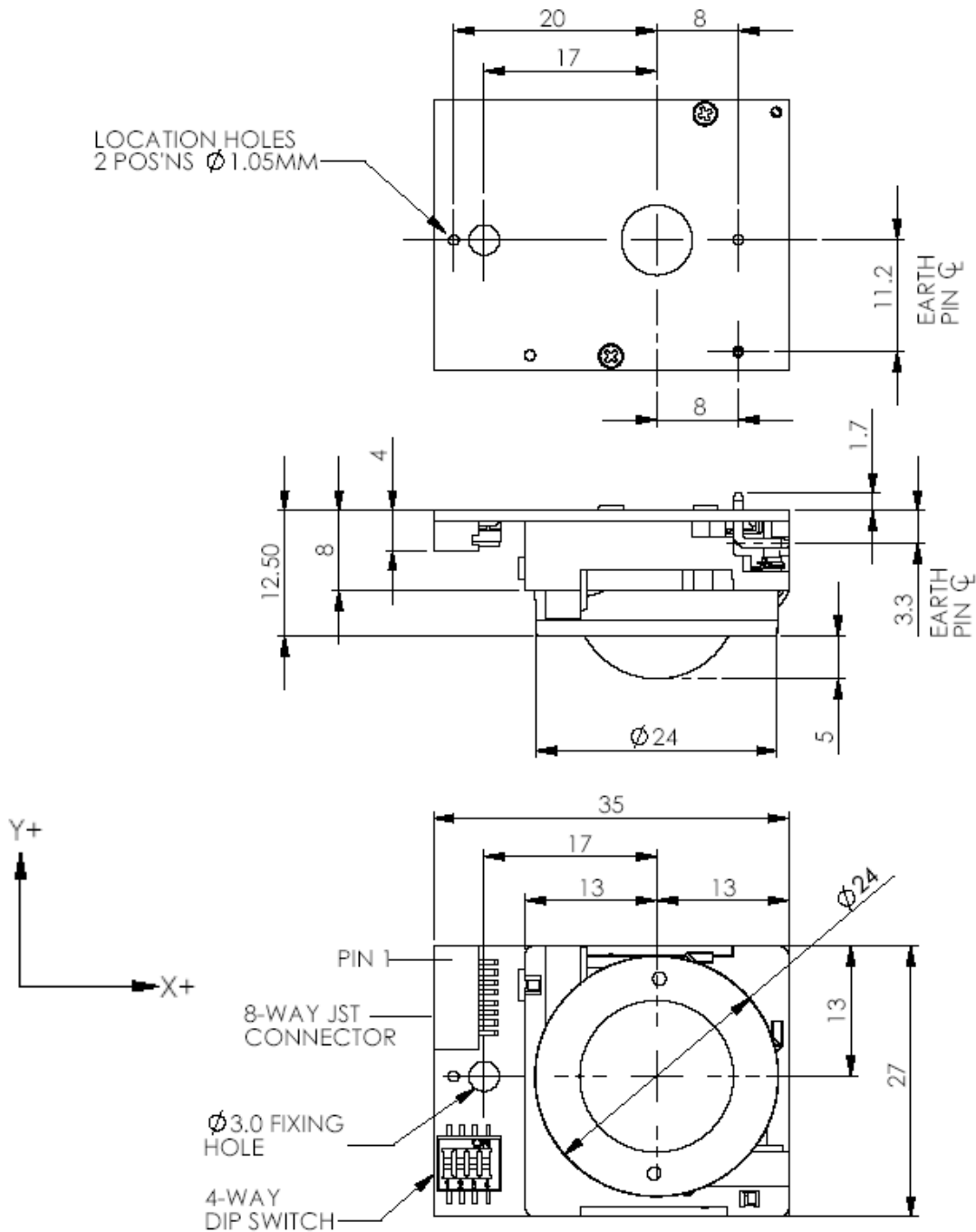
### 2. FEATURES

- Ultra-compact design
- Outputs: USB & PS/2 (auto select) or SUN Systems
- Jewel bearing suspension system
- Ø16mm (0.6") steel core ball for precise control
- Custom connections available
- Custom OEM solutions available

### 3. APPLICATIONS

- Control systems
- Navigation systems
- Compact keyboards
- Industrial consoles
- Laptops & palmtops
- OEM custom solutions available

7. OUTLINE DRAWING



Dimensional drawing specifies factory default orientation.

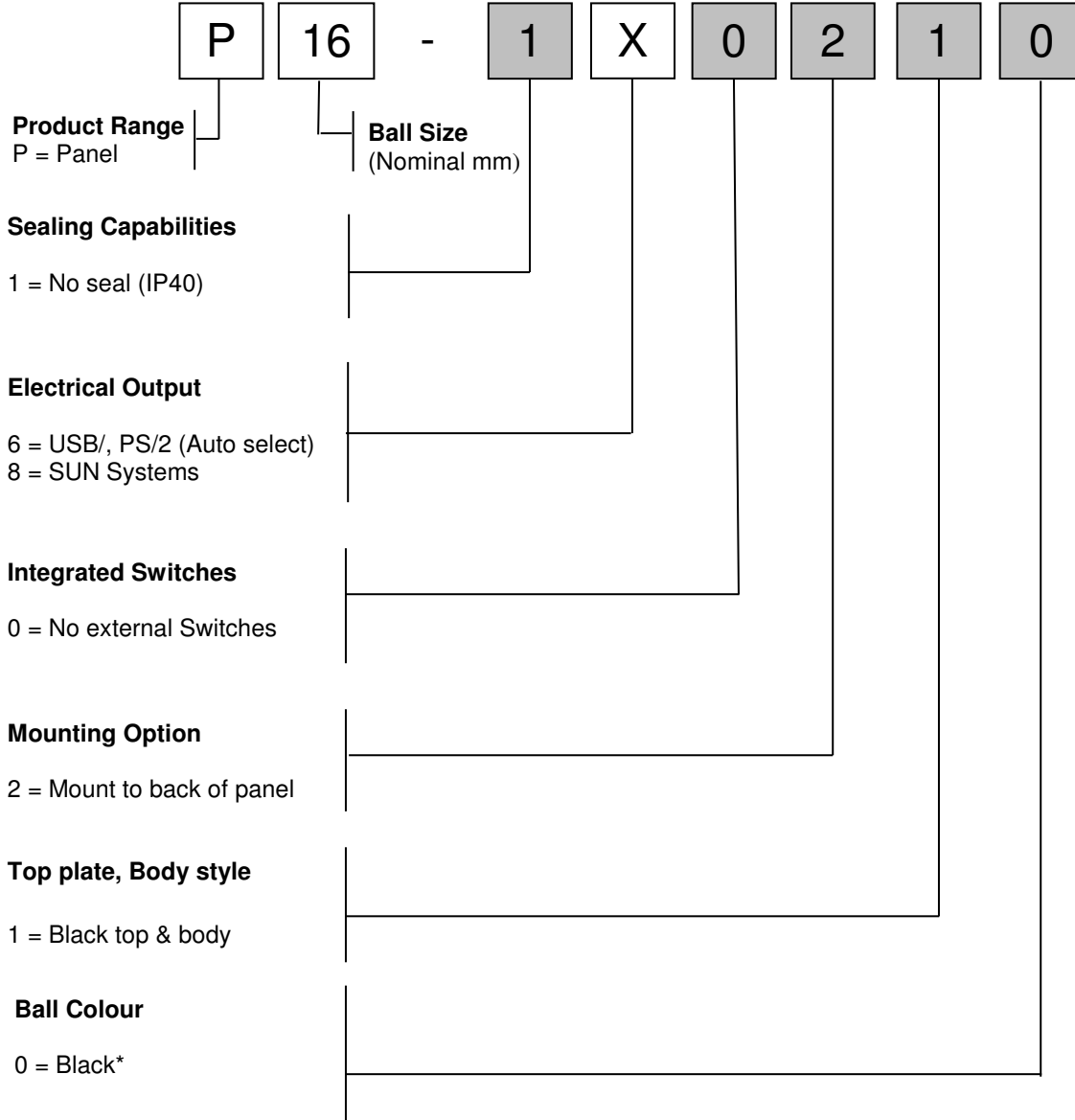
All dimensions are in mm unless otherwise stated.

Tolerances +/- 0.2mm unless otherwise stated

Please note that 3D models are available upon request. Please contact your local sales office for more information.

### 8. PRODUCT ORDERING CODE SYSTEM

Please construct your standard P16 Series product ordering code by selecting the numbers and letters to suit your specification:



\* For further options on ball colours please contact your local sales office. MOQ's may apply.

#### 8.1 Ordering Example

**P16-160210:** P16 series, no seal - IP40, USB/PS/2, no external switches, mount to back of panel, black top ring and body, black ball.