
P55 Series, Panel Mount Trackball, Quadrature Output

**1. DESCRIPTION**

The P55 panel series Trackball is a high precision range of computer pointing devices designed for rugged environments. Developed for specific control of large screen based systems and accurate cursor positioning, the P55 will fulfil the most demanding screen applications with the least demand on the operator. Stainless steel shafts and bearings ensure a solid and precise pointer control while the seal ring limits ingress of aqueous solutions and particulates. The unit has been designed to be back of panel mounted as part of OEM keyboards and consoles.

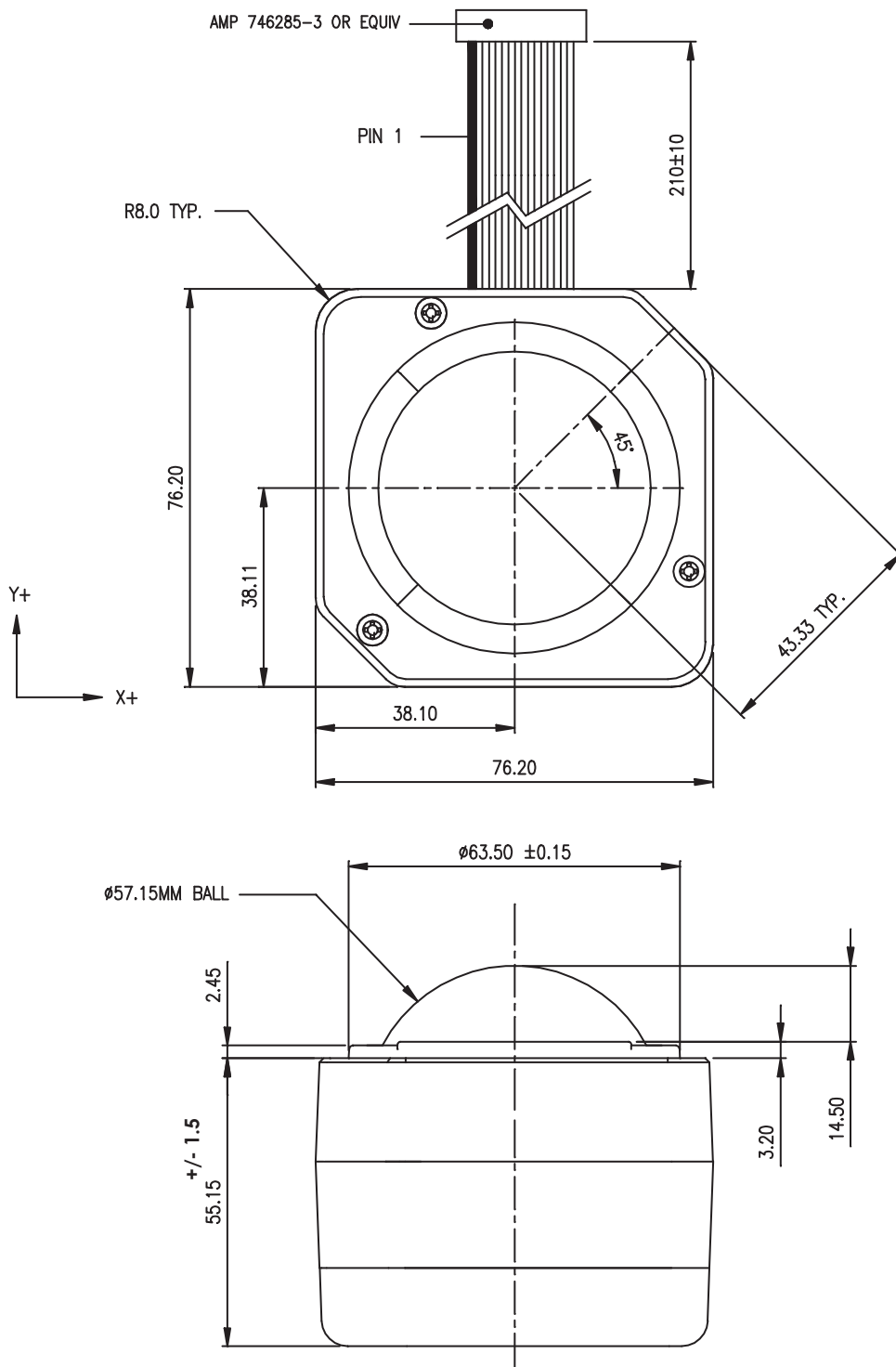
2. FEATURES

- High precision pointing device
- Smooth operation in rugged environments
- Output: TTL Quadrature
- Sealing to IP51
- High grade stainless steel shafts and bearings
- Custom ball colours and connectors
- Custom top plate and chassis configurations

3. APPLICATIONS

- Medical systems
- Marine systems
- Custom keyboard applications
- Industrial consoles
- OEM custom solutions available

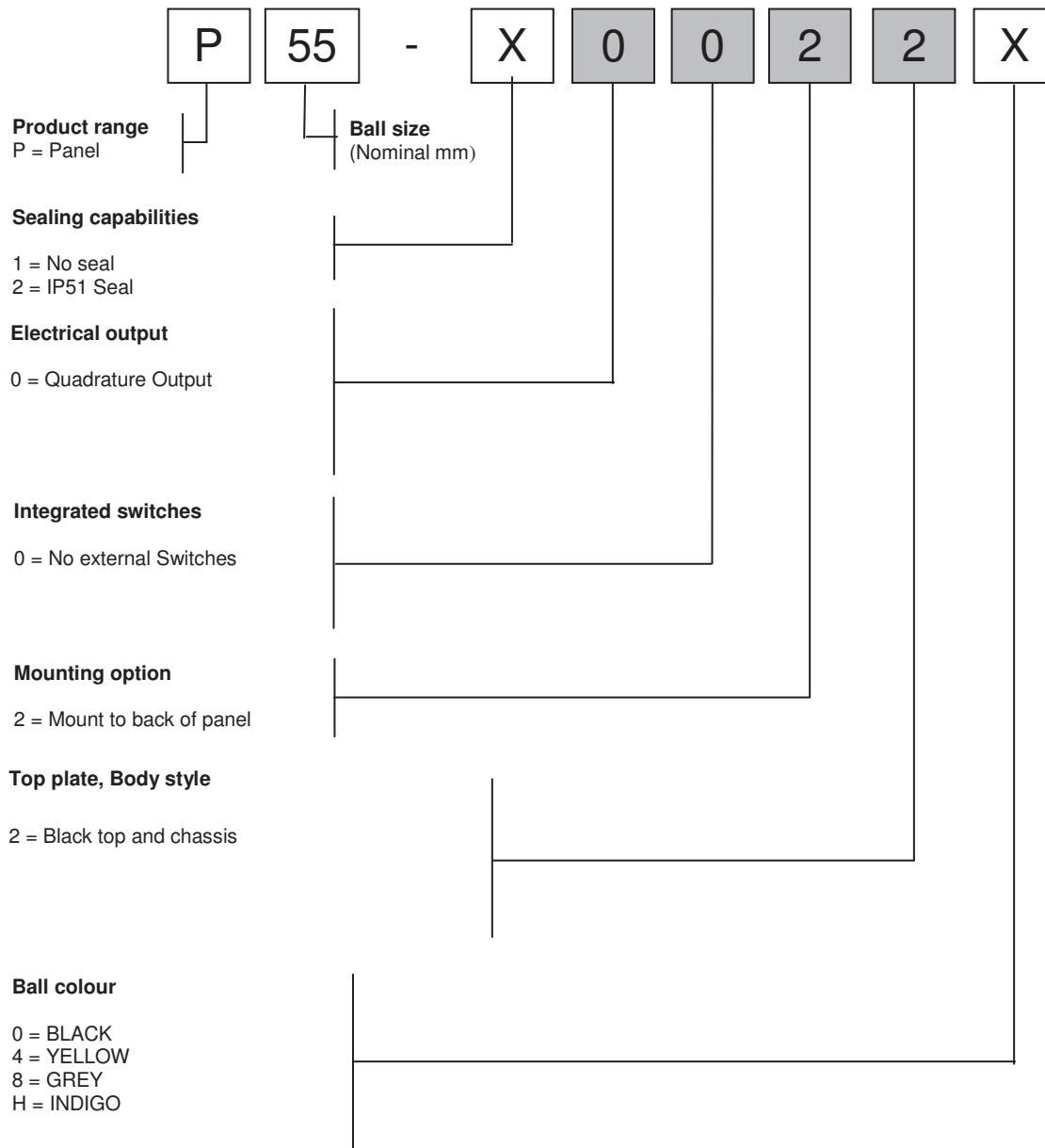
6. OUTLINE DRAWING



All dimensions in mm unless otherwise stated
 Third angle projection
 General tolerance +/- 0.2mm

7. PRODUCT ORDERING CODE SYSTEM

Please construct your standard product ordering code by selecting the numbers and letters to suit your specification:



*Non standard colour – MOQ and lead-time may apply
For further options on ball colours please contact your local sales representative

7.1 Ordering Example

P55-200220: Panel 55mm, IP50 seal, quadrature, no switches, mount to back of panel, black top and chassis, black ball.